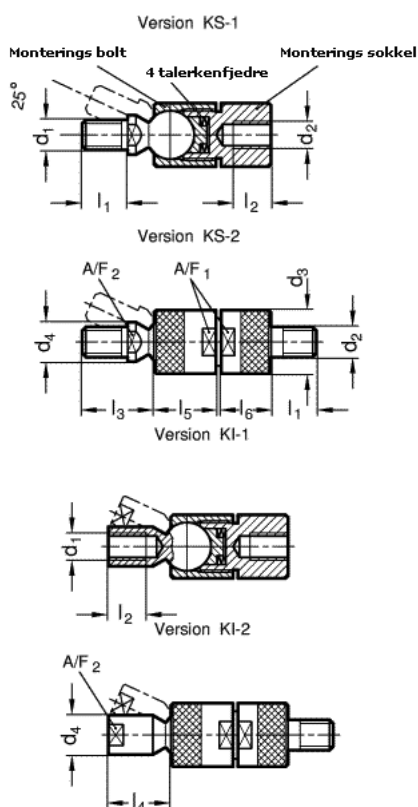


Article number: 20070511

Description: E+G Ball joints  
GN 782-M10-KS-1

## Measures



d1 = M 10	l5 = 21.0
d2 = M 10	l6 = 17
d3 = 21	sw1 = 19
d4 = 13	sw2 = 11
l1 = 15	
l2 = 12	
l3 = 23.5	
l4 = 20.5	